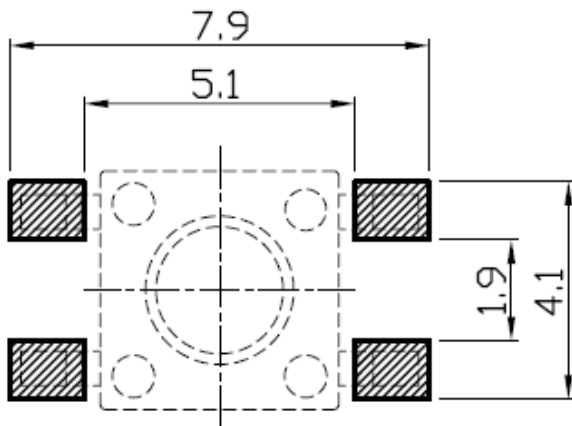
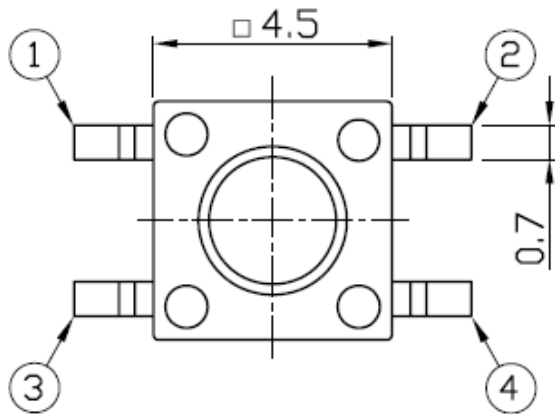
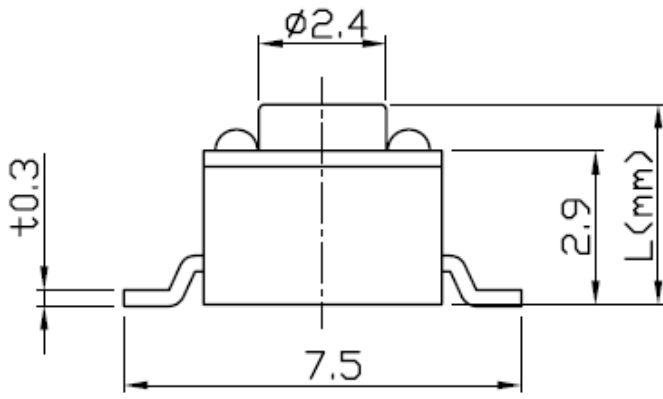
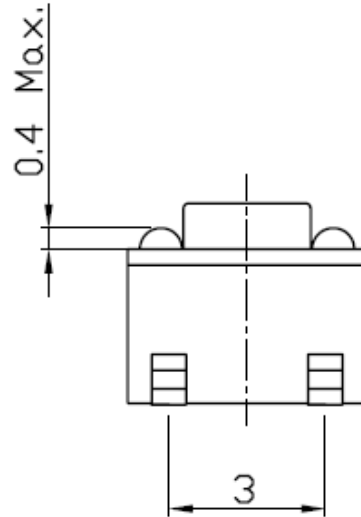
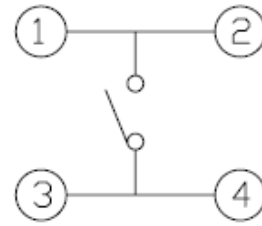


**DIMENSIONS**



**P.C.B MOUNTING PATTERN DIMENSION**

**CIRCUIT DIAGRAM**



**SPECIFICATIONS**

1. RATING : DC 12V, 50mA Max
2. CIRCUIT : 1C - 1P
3. OPERATING FORCE :  $N=160\pm 30$   
 $R=250\pm 50gf$
4. CONTACTC RESISTANCE : 100m $\Omega$  Max
5. TRAVEL :  $0.25 \pm 0.1$  mm

C	7.0 mm
B	4.8 mm
L= A	3.8 mm



銓基電子股份有限公司  
ROKI ELECTRONICS CO., LTD.

PART NAME : TACT SWITCH		SCALE :
PART NO : TS16M-□□-PF		UNIT : mm
TOLERANCE : $\pm 0.2$ mm		VER : R03